

Refurbish American/Canadian 800 & 1000 Class RefurbishPlus American/Canadian 800 & 1000 Class

Technical Information

Refurbish American/Canadian 800 & 1000 Class

The Elster Meter Services Refurbish program applies to 800 & 1000 series Elster American or Elster Canadian meters, suggested for units fifteen (15) years old and newer.

Standard components replaced are as follows:

- Short Flag Arms
- Tangent Bushing and Cotter Pins
- Top Gasket and Screws
- Hand Hole Gasket
- Hand Hole Bolts
- Index Box and Gasket
- Index Box Screws
- Axle Box Assembly and Washer

Standard processes include:

- Theft Awareness Inspection
- Pressure Wash
- General "Above the Table" Clean Up
- Lubrication of Flag Rod Grommets
- Regrind of Valve Seats
- Regrind of Valve Covers
- Index Test

- Internal Leak Test
- Hydro Test at 10 PSI
- Prove, Bar Code
- Prime and Finish Paint

Optional processes and parts which are available at additional cost:

- AMR Addition
- Standard to T/C Conversion
- Top Replacement/Conversion Program
- Documented In Testing
- Rebadging, Labeling Additions
- Index Replacement
- Special Packaging Requirements
- Government Sealing (If Applicable)
- Special Hydro Pneumatic Test Pressure Point



elster
Meter Services

RefurbishPlus American/Canadian 800 & 1000 Class

The Elster Meter Services RefurbishPlus program applies to 800/1000 series Elster American or Elster Canadian meters, suggested for units twenty-five (25) years old and newer.

The Program includes all of the components and processes as performed in Refurbishing, plus the following:

- Valve Guides
- Cover Screws
- Lubrication of Lower Flag Rod Bearings, Diaphragm Pan Bearings

- Front Cover Gasket
- Back Cover Gasket
- Lower Crank Bushing
- Test at Badged Maximum Pressure

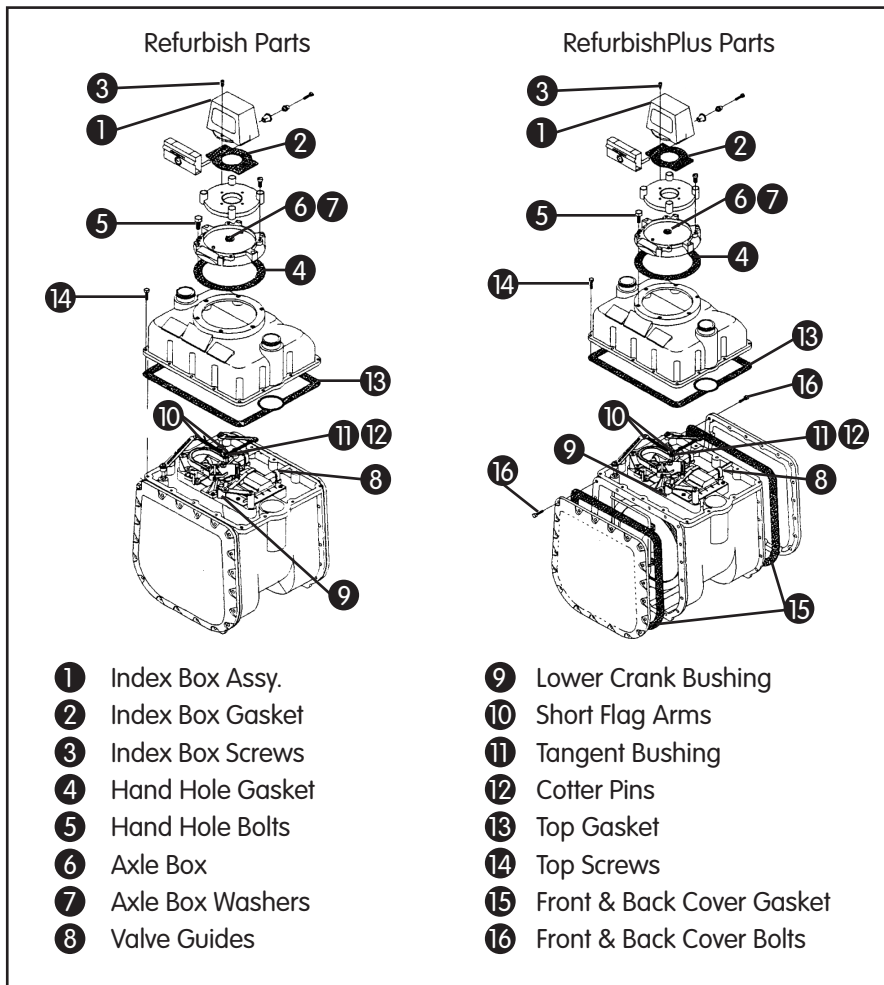
Optional processes and parts which are available in Refurbishing, at additional cost, are also available in the RefurbishPlus program.

About Elster Group

A world leader in advanced metering infrastructure, integrated metering, and utilization solutions to the gas, electricity and water industries. Elster's systems and solutions reflect over 170 years of knowledge and experience in measuring precious resources and energy.

Elster provides solutions and advanced technologies to help utilities more easily, efficiently and reliably obtain and use advanced metering intelligence to improve customer service, enhance operational efficiency, and increase revenues. Elster's AMI solutions enable utilities to cost-effectively generate, deliver, manage, and conserve the life-essential resources of gas, electricity, and water.

Elster has over 7,500 staff and operations in 38 countries in North and South America, Europe, and Asia.



Elster Meter Services
 2221 Industrial Road
 Nebraska City, NE 68410-6889
 USA

T +1 402 873 8200
 F +1 402 873 7616

www.elster-meterservices.com

© 2008 Elster Meter Services. All rights reserved.

Information contained herein is subject to change without notice. Product specifications may change. Contact your Elster Meter Services representative for the most current product information. Printed in the United States.

EMS-TI0006.1-EN-P - August 2008
 Supercedes EMS-TI0006-EN-P