

# Refurbish AL 5000/RefurbishPlus AL 5000

## Technical Information

### Refurbish AL 5000

The Elster Meter Services Refurbish program applies to 5000 series Elster American or Elster Canadian meters, suggested for units fifteen (15) years old and newer.

Standard components replaced are as follows:

- Short Flag Arms
- Tangent Bushing and Cotter Pins
- Top Gasket
- Top Screws
- Hand Hole Plate Gasket
- Hand Hole Bolts
- Index Box and Gasket
- Index Box Screws
- Axle Box and Axle Box Washer
- Valve Guides

Standard processes include:

- Pressure Wash
- General "Above the Table" Clean Up
- Lubrication of Flag Rod Grommets
- Regrind of Valve Seats

- Regrind of Valve Covers
- Index Test
- Internal Leak Test
- Hydro Pneumatic Test
- Prove, Bar Code
- Finish Paint

Optional processes and parts which are available at additional cost:

- AMR Addition
- Standard to TC Conversion
- Top Replacement/Conversion Program
- Documented Intest Results
- Rebadging, Labeling Additions
- Index Replacement
- Special Packaging Requirements
- Government Sealing (If Applicable)



elster  
Meter Services

# RefurbishPlus AL 5000

The Elster Meter Services RefurbishPlus program applies to AL 5000 series Elster American or Elster Canadian meters, suggested for units twenty-five (25) years old and newer.

The Program includes all of the components and processes as performed in Refurbishing, plus the following:

- Front and Back Cover Gaskets
- Cover Bolts
- Pressure Test
- Lubrication of Lower Flag Rod Bearings and Diaphragm Pan Bearings

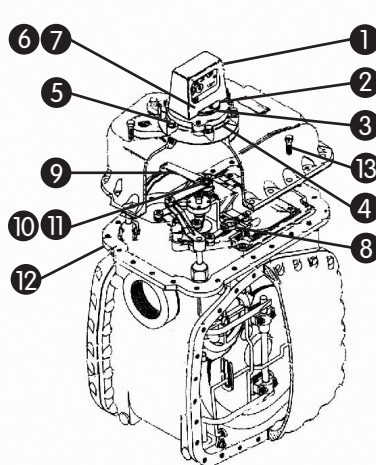
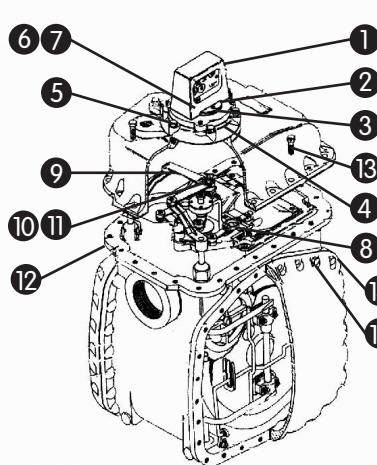
Optional processes and parts which are available in Refurbishing, at additional cost, are also available in the RefurbishPlus program.

## About Elster Group

A world leader in advanced metering infrastructure, integrated metering, and utilization solutions to the gas, electricity and water industries. Elster's systems and solutions reflect over 170 years of knowledge and experience in measuring precious resources and energy.

Elster provides solutions and advanced technologies to help utilities more easily, efficiently and reliably obtain and use advanced metering intelligence to improve customer service, enhance operational efficiency, and increase revenues. Elster's AMI solutions enable utilities to cost-effectively generate, deliver, manage, and conserve the life-essential resources of gas, electricity, and water.

Elster has over 7,500 staff and operations in 38 countries in North and South America, Europe, and Asia.

Refurbish Parts	RefurbishPlus Parts
	
<ul style="list-style-type: none"> <li>① Index Box Assy.</li> <li>② Index Box Gasket</li> <li>③ Index Box Screws</li> <li>④ Hand Hole Gasket</li> <li>⑤ Hand Hole Bolts</li> <li>⑥ Axle Box</li> <li>⑦ Axle Box Washer</li> <li>⑧ Valve Guides</li> </ul>	<ul style="list-style-type: none"> <li>⑨ Short Flag Arms</li> <li>⑩ Tangent Bushing</li> <li>⑪ Cotter Pins</li> <li>⑫ Top Gasket</li> <li>⑬ Top Screws</li> <li>⑭ Front &amp; Back Cover Gaskets</li> <li>⑮ Front &amp; Back Cover Bolts</li> </ul>

Elster Meter Services  
 2221 Industrial Road  
 Nebraska City, NE 68410-6889  
 USA

T +1 402 873 8200  
 F +1 402 873 7616

[www.elster-meterservices.com](http://www.elster-meterservices.com)

© 2008 Elster Meter Services. All rights reserved.

Information contained herein is subject to change without notice. Product specifications may change. Contact your Elster Meter Services representative for the most current product information. Printed in the United States.

EMS-TI0005.1-EN-P - August 2008  
 Supercedes EMS-TI0005-EN-P