

# Repair Parts List

## AL 800 and AL 1000

June, 1992

### AMERICAN

### AL 800 and AL 1000

### Aluminumcase Meters



**AMERICAN**  
**METER COMPANY**

*Measurement Engineers Since 1836*

Overall Assembly

RPL 3807A

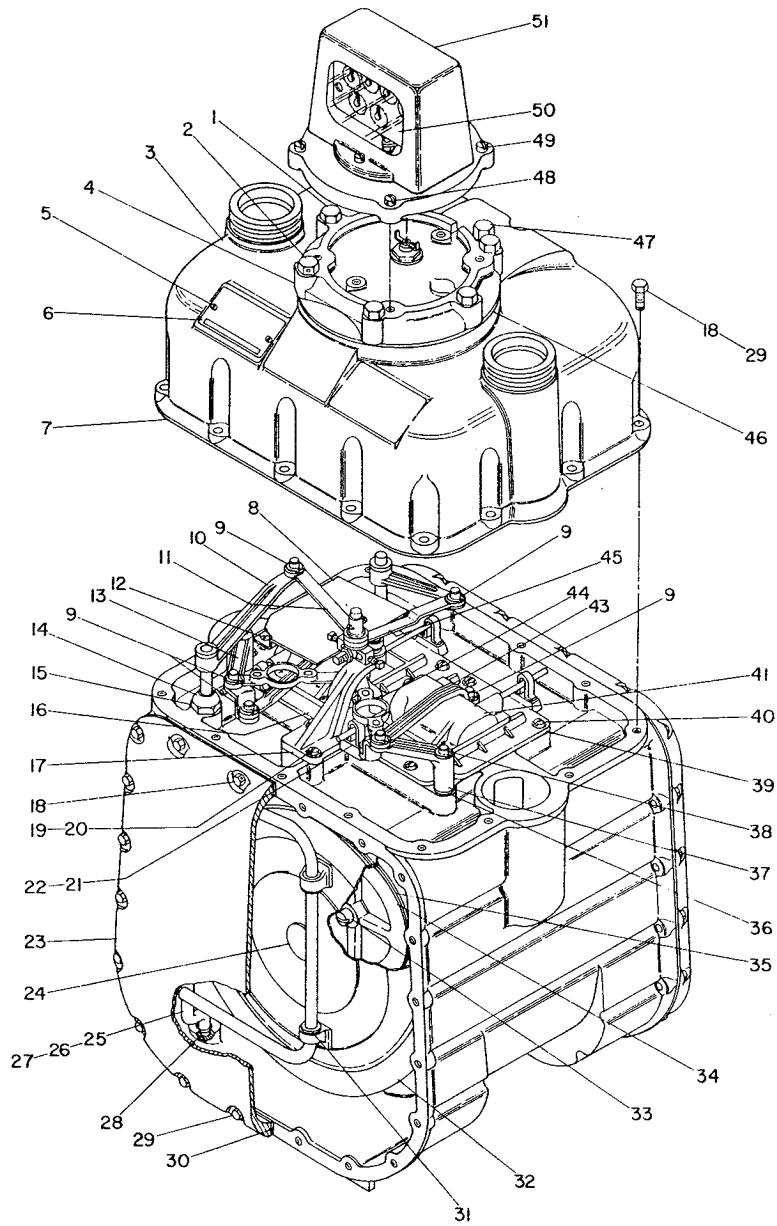


Figure 1

# Repair Parts List

# AL 800 and AL 1000 Aluminumcase Meters

## Overall Assembly

RPL 3807A

ITEM NO.	DESCRIPTION	QTY PER UNIT	COMMON TO ALL VARIATIONS	PART NUMBER				UNITS USED IN S/N OR MFG DATE		PRODUCT SERIAL NUMBER			
				PRODUCT VARIATIONS				FROM	TO				
				AL-800 20 PSG	AL-800 100 PSG	AL-1000 25 PSG	AL-1000 100 PSG						
1	Screw, Hex Head	4		11635P028	11635P037	11655P028	11655P037						
2	Screw, Hex Head, Sealing	2		11635P029	11635P038	11635P029	11635P038						
3	Top	1		1-1/4"---30 LT									
				1-1/2"---45 LT			43820G005						
				1-1/2" = FPT	43820G015	43820G006	43820G015	43820G006					
				# 3-4 SPR (Short)	43820G009								
				# 3-4 SPR (Long)	43820G012								
				# 5 Sprague			55714G009						
	2" --- 100 LT					55714G003							
						55714G006							
4	Plate, Handhole	1	Figure 2										
5	Screw, Drive	AR	02197P001 # 4 x 0.19"										
6	Badge, Mfrg			49036P014	49036P036	49036P110	49036P111						
				49036P091	49036P087	49036P129	49036P130						
7	Gasket, Top	1		44094P001	44094P002	44094P001	44094P002						
8	Deflector	1	44104P001										
9	Fastener, Arm	10	Ring 92943P051 Cotter Pin 11186P010						10/70				
10	Arm, Long Flag	2	44101G001						10/70				
11	Arm, Short Flag --- Front	1	38920G090										
12	Screw, Rd Hd (Deflector)	2		W/ Durafil Valve Seat	13519P271	13519P271				11/76			
					# 8-32x0.56"	# 8-32x0.56"							
							13519P271	13519P271	2/77				
							# 8-32x0.56"	# 8-32x0.56"					
							13519P010	13519P010			10/64	11/76	
							# 8-32x0.25"	# 8-32x0.25"					
	White Metal Valve Seat			13519P007	13519P007				10/64				
				# 6-32x0.19"	# 6-32x0.19"								
						13519P010	13519P010		2/77				
						# 8-32x0.25"	# 8-32x0.25"						
13	Crank, Bell Left Hand	1		17356P002		17356P002		10/70					
				17356G006	17356G006	17356G006	17356G006		10/70				
14	Seal, Flag Rod	2	42984P012										
15	Box, Flag	2	39624P037										
16	Seat, Valve	1		Durafil Inlet	39451P061	39451P061				11/76			
							39451P063	39451P063	2/77				
				White Metal	39451K003	39451K003				10/64	10/64		
				39451P014	39451P014				10/64	11/76			
						39451P047	39451P047		2/77				
17	Crank, Crank Frame & Tangent	1	Figure 3										
18	Screw, Hex Head Sealing	6		16423P027	11635P033	16423P027	11635P033						
				1/4"-20x0.88"	3/8"-16x1.00"	1/4"-20x0.88"	3/8"-16x1.00"						
19	Lockwasher	2	33245P005										
20	Screw, Fil. Head	2	1/4-20 0.62"										
21	Guide, Valve	4		Durafil Seat	43796P003	43796P003				11/76			
							43796P003	43796P003	2/77				
				43597P001	43597P001				11/76				
						43597P001	43597P001		2/77				
22	Screw, Round Head White Metal Valve Seal Only	4			13519P023	13519P023				11/78			
					# 6-32x0.38"	# 6-32x0.38"							
							13519P023	13519P023			2/77		
						# 6-32x0.38"	# 6-32x0.38"						
23	Cover, Front & Back	2		43815P001	43815P004	43815P001	43815P004						
24	Disc, Diaphragm Grommet	2	42981P001										
25	Rod, Front Flag --- Assembly	1	44091G001										
26	Rod, Back Flag --- Assembly	1	44091G002										
27	Washer, Flag Rod	2	02141P173										
28	Bearing, Lower Flag Rod	2	27540P026										

See Figure 1.

Overall Assembly

RPL 3807A

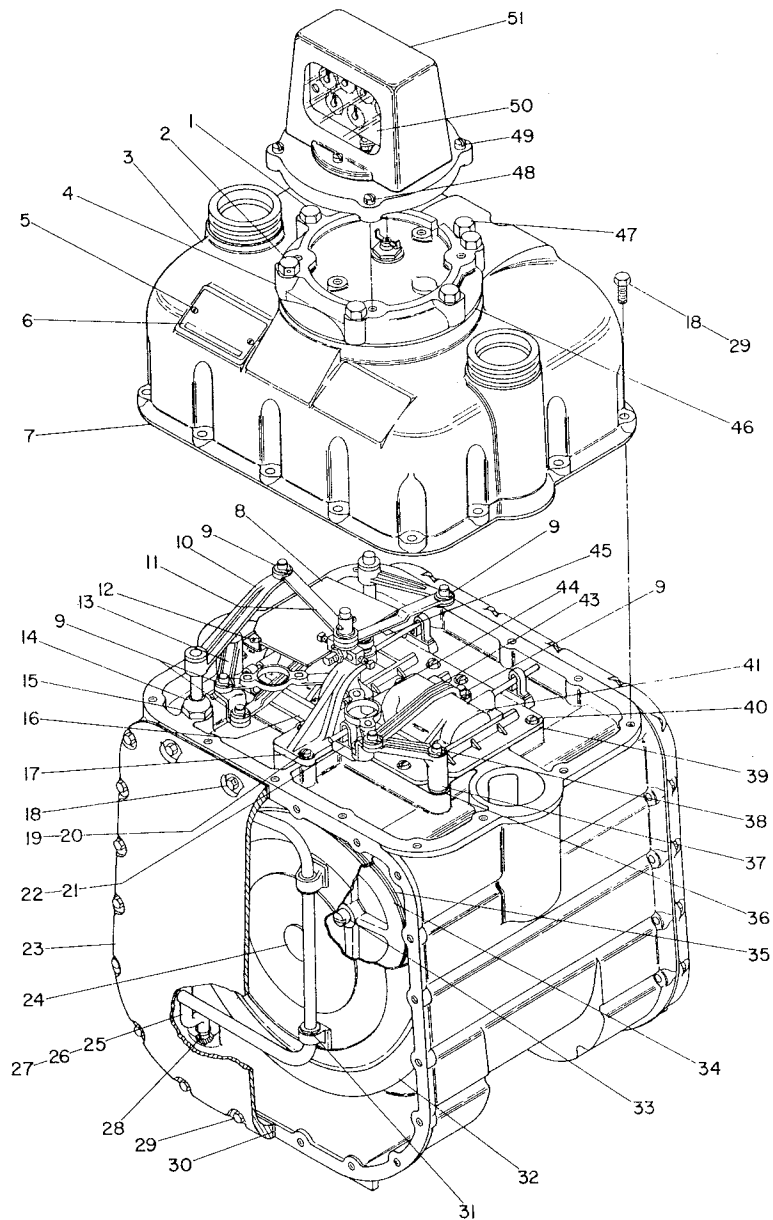


Figure 1

Overall Assembly

RPL 3807A

ITEM NO.	DESCRIPTION	QTY PER UNIT	COMMON TO ALL VARIATIONS	PART NUMBER				UNITS USED IN S/N OR MFG DATE		PRODUCT SERIAL NUMBER
				PRODUCT VARIATIONS				FROM	TO	
				AL-800 20 PSG	AL-800 100 PSG	AL-1000 25 PSG	AL-1000 100 PSG			
29	Screw, Hex Head	48		16423P026		16423P028				
				1/4"-20x0.88"		1/4"-20x0.88"				
		48			11635P032		11635P032			
					3/8"-16x1.00"		3/8"-16x1.00"			
30	Gasket, Front & Back Cover	2		43705P001		43705P001				
31	Bearing, Split	4	43649P012							
32	Diaphragm Assembly	2	D-78 43825A002							
33	Screw, Fil Head	2		13348P187						
				5/16"-18x1.00"						
34	Clamp, Diaphragm	2		29061P002						
35	Gasket, Diaphragm Clamp	3		39610P096						
36	Washer, Bell Crank Pin	2		02141P180				10/70		
37	Crank, Bell — Righthand	1		Acetal 17356P001		17356P001		10/70		
				White Metal 17356G005		17356G005		10/70		
					17356G005		17356G005			
38	Pin, Bell Crank	2	43646P002					10/70		
					43646P001	43646P001			10/70	
39	Seat Valve	1		Durafil Outlet 39451P060	39451P060			11/76		
				With # 6-32 Top 39451K003	39451K003		39451P058	39451P058	2/77	
				With # 8-32 Top 39451P014	39451P014				10/64	11/76
				With # 8-32 Top 39451P047		39451P047	39451P047	2/77		
40	Screw, Fil Hex	9		10347P004						
				1/4"-20x0.38"						
41	Valves	2		Durafil Wrist 28873G053	28873G053	28873G054	28873G054	10/71		
				Cast-in Wrist 28873K003	28873K003	28873K004	28873K004	10/71	10/71	
43	Arm, Valve	2		38920G087						
44	Bearing, Crank	1		43649P001						
45	Arm, Short Flag — Back	1		38920G121						
46	Gasket, Handhole	1			01122P031	41477P026	01122P031	41477P026		
47	Plug, Pipe	1		11970P003						
48	Screw, Fil Head Sealing	2		10347P061						
				# 18-18x0.88"						
49	Screw, Fil Head	2		10347P060						
				# 18-18x0.88"						
50	Indexes	5 ft <sup>3</sup>		Reg. Read Stand. 097896G040						
				T.C. 097896G102						
				Odom. Stand. 52274G001						
				(5'6Circle) T.C. 52274G002						
				Odom. Stand. 52319G001						
				(5'5Circle) T.C. 52319G002						
		10 ft <sup>3</sup>		Reg. Read Stand. 42961G015						
				T.C. 42961G043						
				Odom. Stand. 52210G002						
				(10'6Circle) T.C. 52210G011						
		0.1 m <sup>3</sup>		Odom. Stand. 52320G001						
				(10'5Circle) T.C. 52320G002						
Specials		Regular Read 54882G001								
		Odometer 52170G002								
				PI-300 93800)						
51	Index Box & Base Plate	1	PL3801							

See Figure 1.

Handhole Plate Assemblies

RPL 3807A

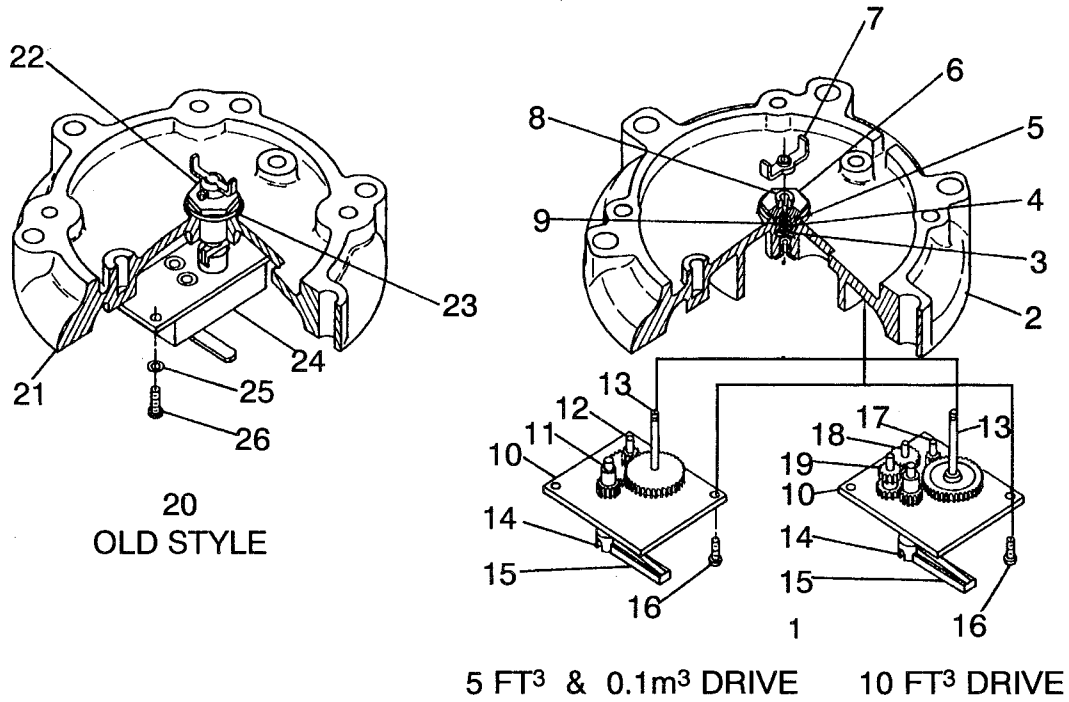


Figure 2

Integral Handhole Plate Gearing Assembly Repair Kits			
Meter		Integral HHP PN	Kit PN
AL800/1000	5 FT <sup>3</sup>	54871G001	54871K008
AL800/1000	10 FT <sup>3</sup>	54871G003	54871K009
AL800/1000	0.1m <sup>3</sup>	54871G006	54871K010

Handhole Plate Assemblies

RPL 3807A

ITEM NO.	DESCRIPTION	QTY PER UNIT	COMMON TO ALL VARIATIONS	PART NUMBER				UNITS USED IN S/N OR MFG DATE		PRODUCT SERIAL NUMBER
				PRODUCT VARIATIONS				FROM	TO	
				INTEGRAL	OLD STYLE					
1	Plate, Handle Assembly (Includes Items 2-19)	5 ft <sup>3</sup> — Regular	1		54871G001			1/74		
		10 ft <sup>3</sup> — Regular			54871G003			1/74		
		0.1 m <sup>3</sup>			54871G006			1/74		
2	Plate, Handhole	5 ft <sup>3</sup> — Regular	1		05655G001					
		10 ft <sup>3</sup> — Regular			05655G005					
		0.1 m <sup>3</sup>			05655G008					
3	Spring	1		20104P118						
4	Ferrule	1		37594P001						
5	Washer	1		59050P014						
6	Cap	1		58010P019						
7	Wiggler	1		16233P007						
8	Bushing	1		31609P039						
9	Packing, Fluoroplastic	1		37593P001						
10	Plate, Lower Assembly	5 ft <sup>3</sup>	1		42547G066					
		10 ft <sup>3</sup>			42547G067					
		0.1 m <sup>3</sup>			42547G068					
11	Pinion, Initial	12T	1		54861G001					
12	Spacer	5 ft <sup>3</sup> — 8T/32T	1		55886P032					
		0.1 m <sup>3</sup> - 13T/36T			54863G002					
13	Pinion, Output	5 ft <sup>3</sup> , 10 ft <sup>3</sup> , 0.1 m <sup>3</sup> — 39T	1		55886G030					
14	Pin, Spiral		1		43435P022					
15	Bar, Driving		1		18271P012					
16	Screw, Round Head		2	39314P013						
				# 4-40-0.13"						
17	Pinion	10 ft <sup>3</sup> 8T/24T	1		54864G001					
18	Pinion	10 ft <sup>3</sup> 10T/20T	1		54862G001					
19	Pinion	10 ft <sup>3</sup> 12T/16T	1		54865G001					
20	Plate, Handhole Assembly	5 ft <sup>3</sup> — Regular	1		NA			1/74		
		10 ft <sup>3</sup>			NA			1/74		
		0.1 m <sup>3</sup>			NA			1/74		
21	Plate, Handhole	5 ft <sup>3</sup> — Regular	1		NA			1/74		
		10 ft <sup>3</sup>			NA			1/74		
		0.1 m <sup>3</sup>			NA			1/74		
22	Box, Axle — Assembly		1		38689G018			1/74		
23	Washer, Axle Box		1		25456P002					
24	Undergear Assembly	5 ft <sup>3</sup> — Regular	1		42548G005			1/74		
		10 ft <sup>3</sup>			42548G006			1/74		
		0.1 m <sup>3</sup>			42548G007			1/74		
25	Washer		4		44099P003			1/74		
26	Screw, Round Head		4		13519P030			1/74		
					# 8-32x0.38"					

See Figure 2.

Crank, Crank Frame, and Tangent Assemblies

RPL 3807A

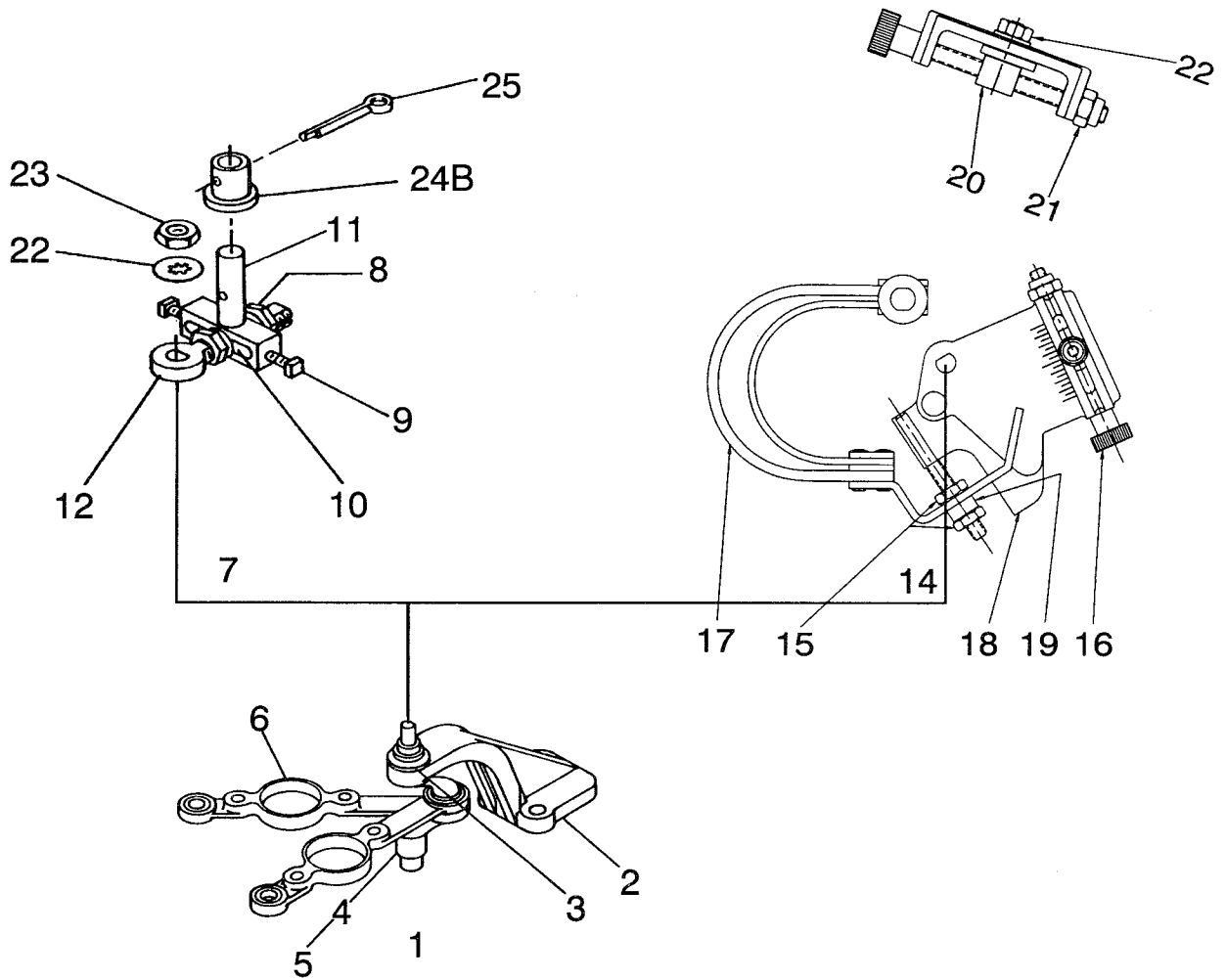


Figure 3

Crank, Crank Frame, and Tangent Assemblies

RPL 3807A


Item No.	Description	Qty Per Unit	Common To All Variations	Part Number			Units Used in S/N or MFG Date		Product Serial Number
				W/REG. TAN.	Product Variations		From	To	
					W/T.C. TSN.				
1	Crank, Crank Frame and Tangent (Items 23&24 not included) <u>Round Post</u> Flat Post	1		41164G008				6/74	
					41164K001				
					41164G015				
2	Frame, Crank-Assembly (Includes Item 3)	1	25205G005						
3	Bushing, Crank Frame <u>Por. Bronze</u> SST Acetal	1	NA N/A 50970P008					4/73	
								9/73	
4	Crank and Arm Assembly (Includes Items 5 & 6)	1	17355G021						
5	Crank <u>SST</u> Manganese Bronze	1	58727K001 58727P096					4/73	
								4/73	
6	Arm, Crank		38920G089						
7	Tangent, Adjustable Assembly (Includes Items 8-12)	1		41191G017					
8	Nut, Tangent	2		16888P015					
9	Screw, Adjusting	2		12575P001					
10	Slice, Tangent	2		12574P003					
11	Wrist, Tangent	1		16286P020					
12	Arm, Tangent	1		13642P017					
14	Temperature Compensated Tangent Assembly (Includes Items 15-22)	1			43631G012			5/94	
15	Hex Nut	2			12582P030				
16	Adjustment Screw	1			50999P007				
17	Band Assembly	1			43629G009				
18	Link & Bracket Assembly	1			43630G005				
19	Bushing	1			50994P009				
20	Timing Adjustment Post	1			43898P009				
21	Stop Nut	1			54505P003				
22	Lock Nut	1			54766P003				
23	Lock Washer	1	44099P002						
24	Hex Nut	1	89334P003						
25	Tangent Sleeve <u>B-Round Post</u>	1		50993P005	50993P005			6/74	
26	Retainer <u>Ring</u> Cotter Pin	1			92943P051			6/74	
				11186P010	11186P010			6/74	

See Figure 3.

 **AMERICAN  
METER COMPANY**  
*Measurement Engineers Since 1836*

 **AMERICAN METER**  
300 Welsh Road, Building One  
Horsham, PA 19044-2234  
Tel: (215) 830-1800  
Fax: (215) 830-1890

 **CANADIAN METER**  
3037 Derry Road, West  
Milton, Ontario, L9T 2X6  
Tel: (905) 878-2361  
Fax: (905) 878-5758

 **INTERNATIONAL GAS MEASUREMENT LTD.**  
300 Welsh Road, Building One  
Horsham, PA 19044-2234  
Tel: (215) 830-1899  
Fax: (215) 830-1892