

# Needle Valves

Available in either carbon steel or stainless steel, needle valves give long-lasting, dependable service under the most severe conditions.

## Features

- Metal-to-metal hard seat design for a bubble-tight seal
- 10,000 psi pressure rating (@200°R maximum)
- Blowout-proof stem provides a secondary stem seal in the full-open position
- Stem packing below the treads prevents thread galling and corrosion
- Viton O-Ring and Teflon back-up ring stem seals
- All 316SS stems (even in steel valves) for longer life
- Stem and bonnet thread are rolled for greater strength and smoother operation
- Stem and bonnet sealing surfaces are burnished to a 16 RMS mirror finish
- Angled stem for precise flow metering
- One-piece bonnet with a metal-to-metal seal to the valve body below the bonnet threads
- Bonnet lock pin prevents accidental loosening
- Vinyl bonnet and stem dust cap
- 0.187 inch orifice size. Maximum  $C_v = 0.52$
- Optional panel-mount bonnet and panel nuts
- Electroless nickel-plated finish on carbon steel valves
- Electro-polish finish on stainless steel valves



Elster Meter Services Needle valves are used for many gas and liquid measurement and control applications – orifice meter gauge line connections, shut-off valves for pressure gauges, odorizers, sampling devices, and other high pressure applications.



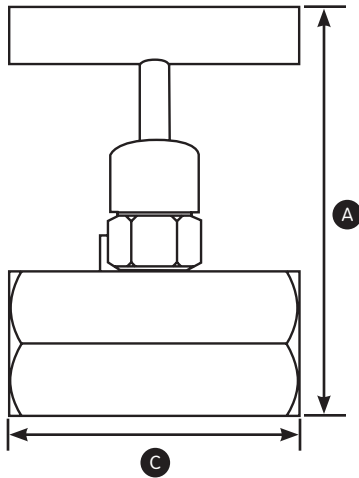
elster  
Meter Services

## Material Specifications

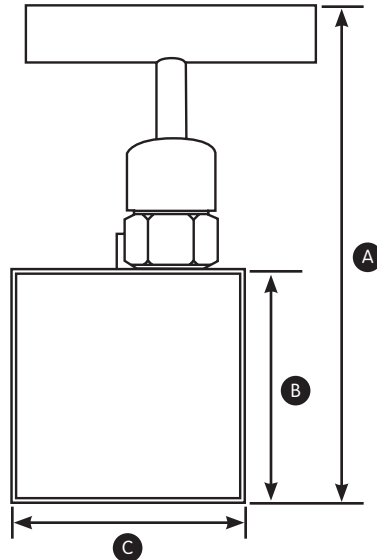
Components	Steel Models	SS Models
Valve Body	12L14 Carbon Steel	316SS
Angle Pattern	CD1018 Carbon Steel	316SS
Bonnet	12L14 Carbon Steel	316SS
Valve Stem	316SS	316SS
Handle	12L14 Carbon Steel	316SS
Handle Set Screw	Carbon Steel	18-8SS
Bonnet Lock	Carbon Steel	18-8SS
Panel Mount Nuts	12L14 Carbon Steel	18-8SS
Stem Seals	Viton O-Ring and Teflon Back-Up Ring	Viton O-Ring and Teflon Back-Up Ring

## Dimensions

Straight Pattern



Angle Pattern



	Pipe Size (inches)	Part Number		A	B	C
		Teflon 12L14 Carbon Steel	Teflon Stainless Steel			
Straight Pattern	1/4	28058G014	28058G015	3.850"	1.250"	2.500"
	1/2	28062B010		3.850"	1.250"	2.500"
Angle Pattern	1/4	56027G005		4.125"	1.625"	1.750"

## About Elster Group

Elster Group is the world's leading manufacturer and supplier of highly accurate, high quality, integrated metering and utilization solutions to the gas, electricity and water industries. In addition, it is the leading global manufacturer of high level thermo-chemical treatment equipment.

The group has over 7,500 staff, operations in 38 countries and serves over 115 markets around the world. Elster's high quality products and systems reflect the wealth of knowledge and experience gained from over 170 years of dedication to measuring precious resources and energy.

Elster Meter Services  
2221 Industrial Road  
Nebraska City, NE 68410-6889  
USA

T +1 402 873 8200  
F +1 402 873 7616

[www.elster-meterservices.com](http://www.elster-meterservices.com)

© 2008 Elster Meter Services. All rights reserved.

Information contained herein is subject to change without notice. Product specifications may change. Contact your Elster Meter Services representative for the most current product information. Printed in the United States.

EMS-DS11521.2-EN-P - February 2008  
Supercedes DS11521 - March 1999