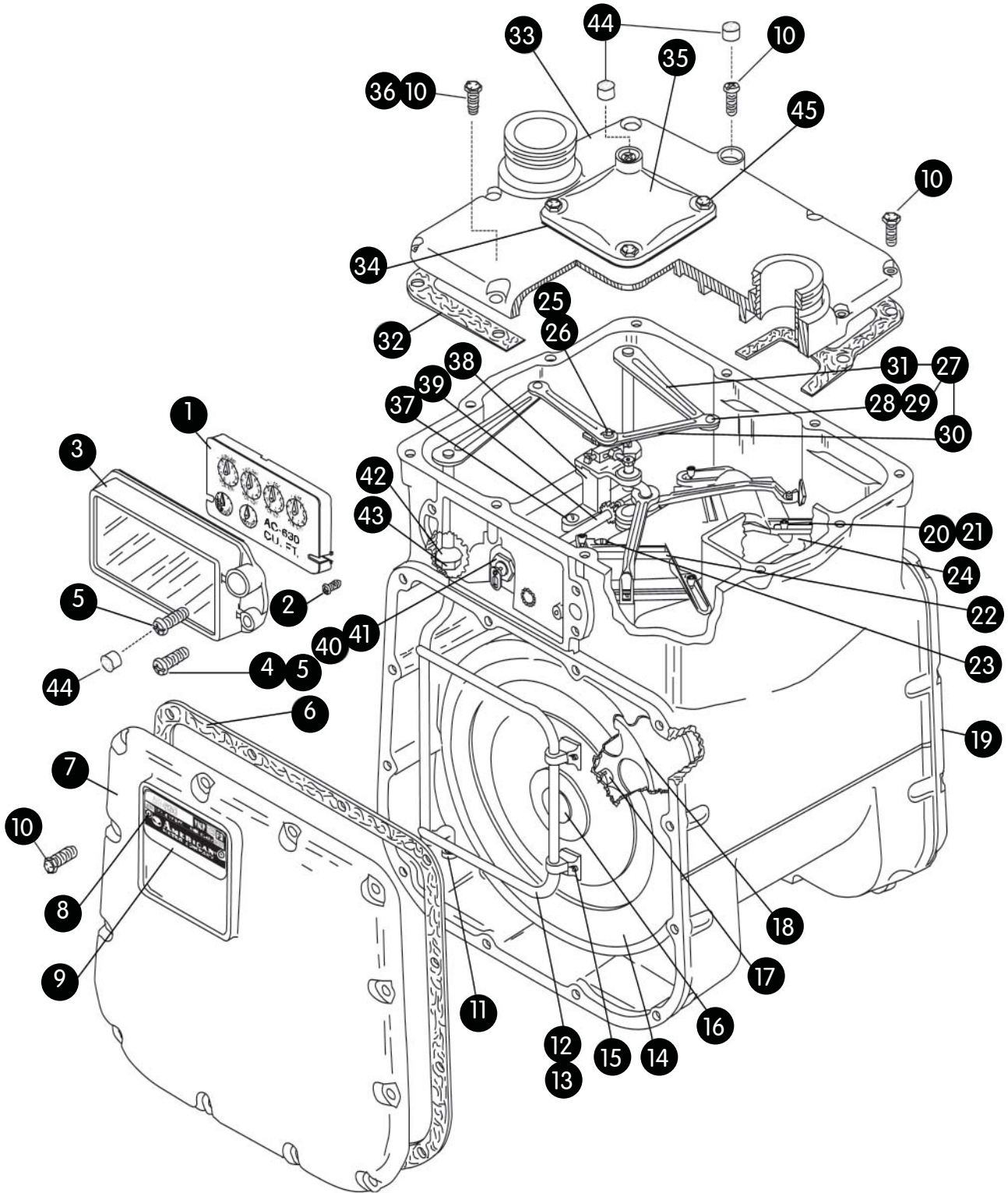


# AC-630 Diaphragm Meter

## Parts List



# AC-630 Diaphragm Meter Major Component Group

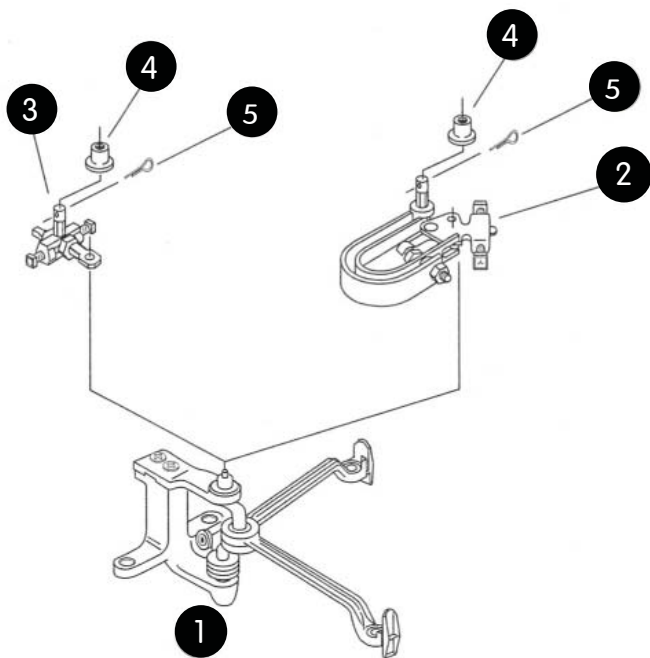


Description	Qty.	Part Number
<b>1</b> Indexes 2FT <sup>3</sup> Reg Read w/ SC	1	04972G072
Indexes 2FT <sup>3</sup> Reg Read w/ SC & AC-630	1	04972G125
Indexes 2FT <sup>3</sup> Reg Read w/ SC & TC	1	04972G039
Indexes 2FT <sup>3</sup> Reg Read w/ SC, TC & AC-630	1	04972G126
Indexes 2FT <sup>3</sup> Odometer w/ SC	1	54885G006
Indexes 2FT <sup>3</sup> Odometer w/ SC & AC-630	1	54885G012
Indexes 2FT <sup>3</sup> Odometer w/ SC & TC	1	54885G007
Indexes 2FT <sup>3</sup> Odometer w/ SC, TC & AC-630	1	54885G013
Indexes .05m <sup>3</sup> Odometer w/ SC	1	52142G014
Indexes .05m <sup>3</sup> Odometer w/o SC	1	52142G013
Indexes .05m <sup>3</sup> Odometer w/o SC & TC	1	52142G030
<b>2</b> Screw, Index; Rd. Hd.	2	43393P092 #8-32 x .188"
<b>3</b> Box, Index; Vented	1	39865G052
Box, Index; Not Vented	1	39865G051
<b>4</b> Screw, Index Box; Fil. Hd. w/ Seal Wire	1	10347P143 1/4"-20 x .59"
<b>5</b> Screw, Index Box; Combo Hd. w/ Security Cap	4	10347P174 1/4"-20 x .59"
Screw, Index Box; Combo Hd. w/ Seal Wire	3	10347P174 1/4"-20 x .59"
<b>6</b> Gasket, Front & Back Cover	2	44276P002
<b>7</b> Cover, Front	1	44304P001
<b>8</b> Rivet, Badge	A/R	94434P017
<b>9</b> Badge, Mfgr.; Standard	1	49040G156
Badge, Mfgr.; TC	1	49040G157
Badge, Mfgr.; Standard Metric	1	49040G158
Badge, Mfgr.; TC Metric	1	49040G159
<b>10</b> Screw, Tops, Covers; Hex. Hd.	34	16423P023
Screw, Tops; Combo Hd.	2	10347P175
<b>11</b> Bearing, Lower Flag Rod	2	44142P009
<b>12</b> Rod, Front Flag - Assembly	1	44274G001
<b>13</b> Rod, Back Flag - Assembly	1	44274G002
<b>14</b> Diaphragm, Universal Front & Back	2	42927G147
<b>15</b> Pin, Cotter; Diaphragm Bracket	4	11186P004
<b>16</b> Grommet, Diaphragm Disc	2	42981P001
<b>17</b> Screw, Whiz-Lock; Diaphragm	2	52040P001 1/4"-20 x .375"
<b>18</b> Gasket, Diaphragm Clamp	2	39610P096
<b>19</b> Cover, Back	1	44269P001
<b>20</b> Guide, Valve	4	43796P004
<b>21</b> Pin, Valve Guide	4	12539P003

Description	Qty.	Part Number
<b>22</b> Valve, Front	1	28873P041
<b>23</b> Screw, Valve Seat; Fil. Hd.	5	10347P004 1/4"-20 x .38"
<b>24</b> Valve, Back	1	28873P042
<b>25</b> Sleeve, Tangent	1	50993P002
<b>26</b> Pin, Cotter; Tangent	1	11186P036
<b>27</b> Arm, Flag Assembly (Includes Items #28 thru 31)	2	17550G062
<b>28</b> Sleeve, Flag Arm	2	55724P005
<b>29</b> Rivet	2	50657P001
<b>30</b> Arm, Short Flag	2	28736P006
<b>31</b> Arm, Long Flag	2	03743P021
<b>32</b> Gasket, Top	1	44275P002
<b>33</b> Top 1"-20 LT 8.25" C-C	1	44272G009
Top 1-1/4"-30 LT 8.25" C-C	1	44272G018
Top 1-1/2"-45 LT 8.25" C-C	1	44272G007
Top #3-4 Sprague 8.25" C-C	1	44272G011
Top 1"-20 LT 7" C-C	1	44272G046
Top 1-1/4"-30 LT 7" C-C	1	44272G047
Top 1-1/2"-45 LT 7" C-C	1	44272G036
Top #3-4 Sprague 7" C-C	1	44272G048
<b>34</b> Gasket, Handhole Cover	1	44320P012
<b>35</b> Cover, Handhole	1	46583P019
<b>36</b> Screw, Top; Hex Hd. w/ Seal Wire	1	16423P024
<b>37</b> Screw, Crank Frame; Rd. Hd.	2	13519P055 1/4"-20 x .50"
<b>38</b> Crank & Tangent Assembly	1	see page 4
<b>39</b> Axle & Wheel 2FT <sup>3</sup>	1	44661P023
Axle & Wheel .05m <sup>3</sup>	1	44661P024
<b>40</b> Box, Axle - Assembly 2FT <sup>3</sup> includes item #41	1	42986G026
Box, Axle - Assembly .05m <sup>3</sup> includes item #41	1	42986G027
<b>41</b> Seal, Axle Box	1	42984P001
<b>42</b> Seal, Flag Box	2	42984P008
<b>43</b> Box, Flag	2	39624P020
<b>44</b> Seal, Security Index Box	2	52548P010
Seal, Security Top & Handhole Cover	A/R	52548P010
<b>45</b> Screw, Handhole; Combo Hd. w/ Security Seal	1	10347P175
Screw, Handhole; Hex. Hd. w/ Security Seal	3	16423P023
Screw, Handhole; Combo Hd. w/ Seal Wire	1	10347P175
Screw, Handhole; Hex. Hd. w/ Seal Wire	2	16423P023
Screw, Handhole; Hex Hd. Drilled w/ Seal Wire	1	16423P024

# AC-630 Diaphragm Meter

## Crank, Crank Frame and Tangent Assemblies



Description	Qty.	Part Number
<b>1</b> Crank & Tangent Assembly 2FT <sup>3</sup> Reg. Tan. (Includes #3 thru 5)	1	25276G152
Crank & Tangent Assembly 2FT <sup>3</sup> TC Tan. (Includes #2, 4 and 5)	1	25276G153
Crank & Tangent Assembly .05m <sup>3</sup> Reg. Tan. (Includes #3 thru 5)	1	25276G154
Crank & Tangent Assembly .05m <sup>3</sup> TC Tan. (Includes #2, 4 and 5)	1	25276G155
<b>2</b> Tangent, Temp. Comp.-Assembly	1	43631G002
<b>3</b> Tangent, Regular-Assembly	1	17305G039
<b>4</b> Sleeve, Tangent	1	50993P002
<b>5</b> Pin, Cotter; Tangent	1	11186P036

## About Elster Group

A world leader in advanced metering infrastructure, integrated metering, and utilization solutions to the gas, electricity and water industries. Elster's metering and system solutions reflect over 170 years of knowledge and experience in measuring precious resources and energy.

Elster provides solutions and advanced technologies to help utilities more easily, efficiently and reliably obtain and use advanced metering intelligence to improve customer service, enhance operational efficiency, and increase revenues. Elster's AMI solutions enable utilities to cost-effectively generate, deliver, manage, and conserve the life-essential resources of gas, electricity, and water.

Elster has a staff of over 7,500 serving customers globally in North America, Central America, South America, Europe, Asia, Africa and the Middle East.

ISO 9001:2000



Certification No. 006697

Elster American Meter  
2221 Industrial Road  
Nebraska City, NE  
68410  
USA

T +1 402 873 8200  
F +1 402 873 7616

[www.elster-americanmeter.com](http://www.elster-americanmeter.com)

Elster Canadian Meter

T +1 519 650 1900  
F +1 519 650 1917

[www.elster-canandianmeter.com](http://www.elster-canandianmeter.com)

© 2009 Elster American Meter. All right reserved

EAM-RPL3850.5-EN-P - September 2009  
Supersedes RPL3850.4